

4 3 2 1

F

F

E

E

D

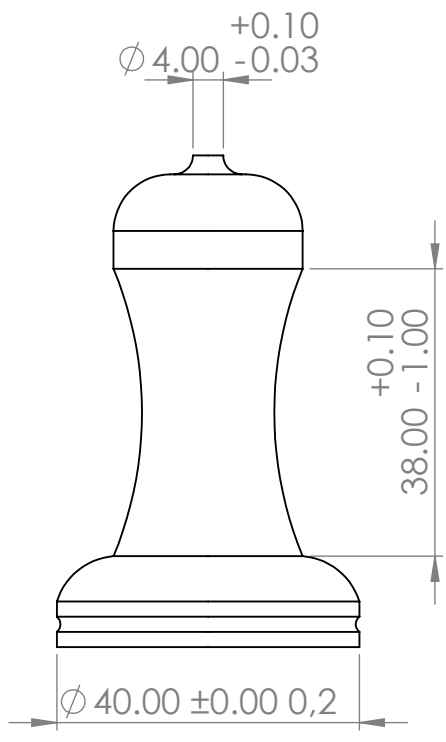
D

C

C

B

B



Material: Aluminium	Surface Texture: Entgratet		
---------------------	-------------------------------	--	--

Surface material/treatment: Harden	Designation: BEATE Laeuffer	
Concepts, principles and rules according to: ISO 8015 Dimensions according to: ISO 14405 1-3 Tolerances of form, orientation, location and run-out: ISO 1101 Edge finish according to: ISO 13715 Surface texture according to: ISO 1302 Limits according to: ISO 286-2 16% rule: not applicable	Drawing nr.: Laeuffer	A4
Quality Standard: EN 10095	Scale: 1:1	Page 1/1

A

A

4 3 2 1